

rotronic

Datenblatt - Fiche technique - Data sheet

12.99.1100

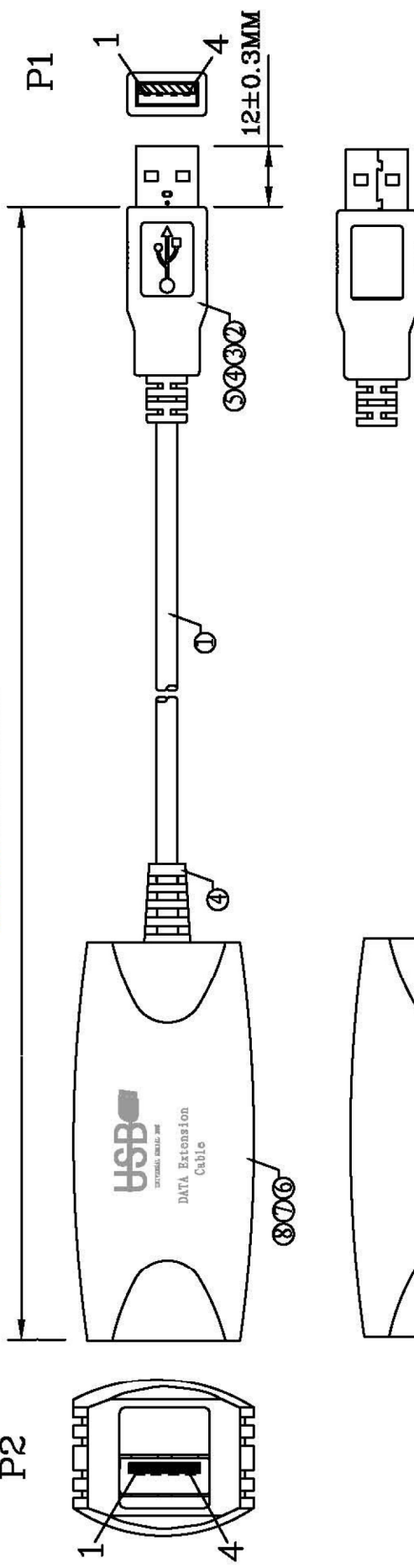


VALUE USB 2.0 Verlängerung weiss, 5m

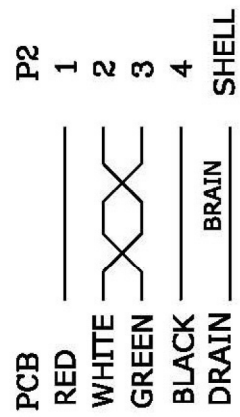
VALUE Prolongateur USB 2.0 blanc, 5m

VALUE USB 2.0 Extender, 1 Port, white, 5 m

5000 ±100MM



Pin Assignment



- Features:**
1. For the extension of any USB 2.0 device by additional 5 meters
 2. Compliant with USB 2.0, USB 1.1
 3. Plug & Play
 4. Bus-powered mode
 5. Supports Windows XP/Vista/7/8

REV.	DESCRIPTION	DATE
1	PCBA USB2.0 (SHELL NICKEL PLATED) PCB+SMT+SOLDER	
2	USB 2.0 cable extender ABS UP SHELL WHITE	
3	USB 2.0 cable extender ABS TOP SHELL WHITE	
4	USB(A)M SOLDER INSULATION:WHITE	
5	45P WHITE PVC	
6	USB(A)M BACK SHELL NICKEL PLATE	
7	USB(A)M FRONT SHELL NICKEL PLATED	
8	UL2725 28AWG*1P+24AWG*2C+AB OD:4.5±0.15 JACKET COLOR:WHITE	
DESCRIPTION		
rotronic		
VALUE USB 2.0 Extension Cable, 5M, White		
CUSTOMER :		
CUSTOMER P/N :		12.99.1100
SCALE	NONE	DRAWING NO:
UNIT	MM	
DATE	2013. 01. 28	
REV.	A	1/3

REV.	DESCRIPTION	DATE
1	SET	
1	pcs	
1	pcs	
1	Set	
8	6	
1	pcs	
1	pcs	
L	M	
Q'TY	UNIT	

TOLERANCE	M/M
.X	.30
.XX	.10
.XXX	.05

JOE

DRAWN BY	
CHECK BY	
APPD BY	